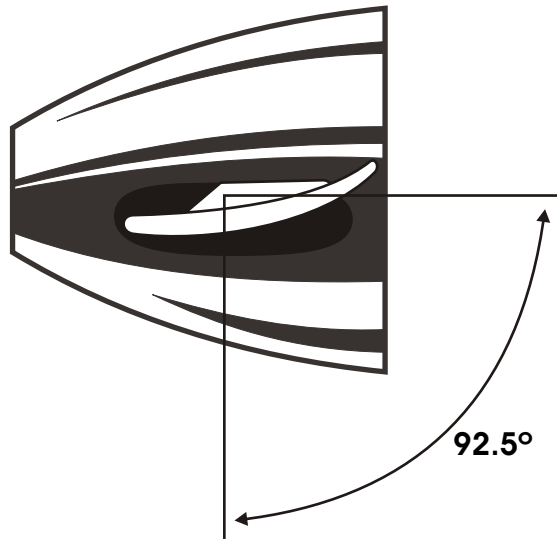
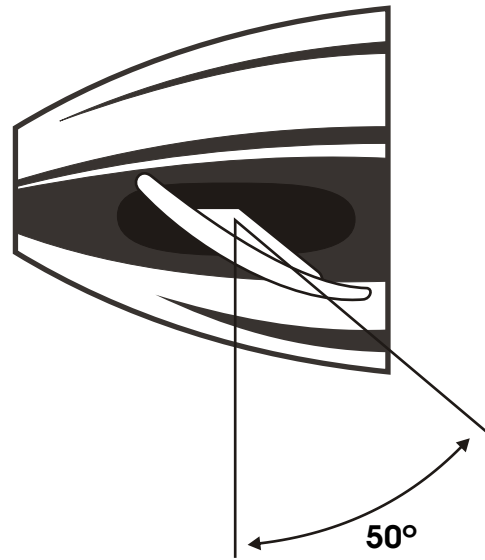


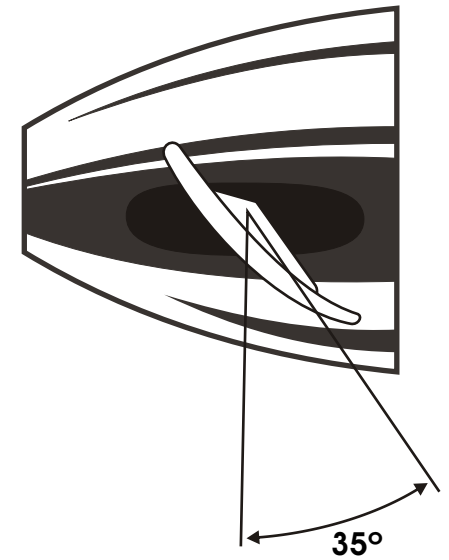
FEATHER



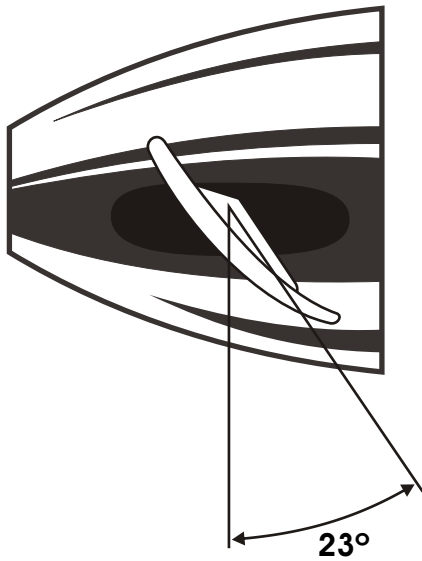
HIGH ALT CRUISE



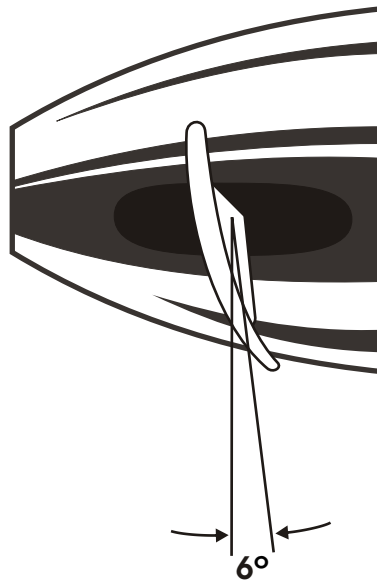
TAKE OFF



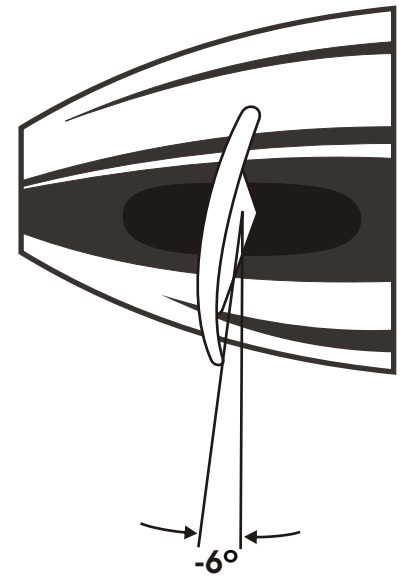
FLIGHT IDLE



GROUND IDLE



REVERSE



(ALL BLADE ANGLES ARE APPROXIMATE)